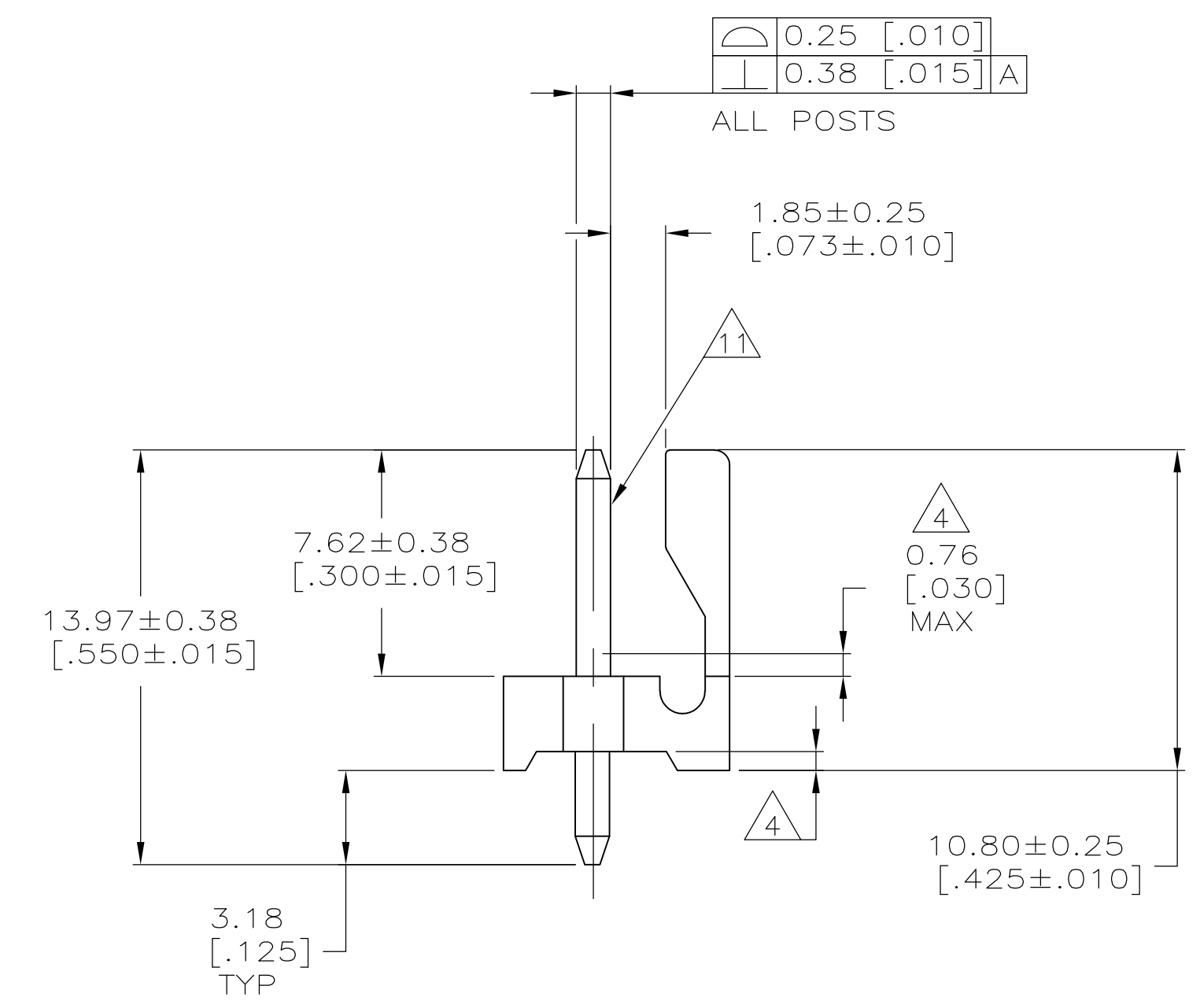
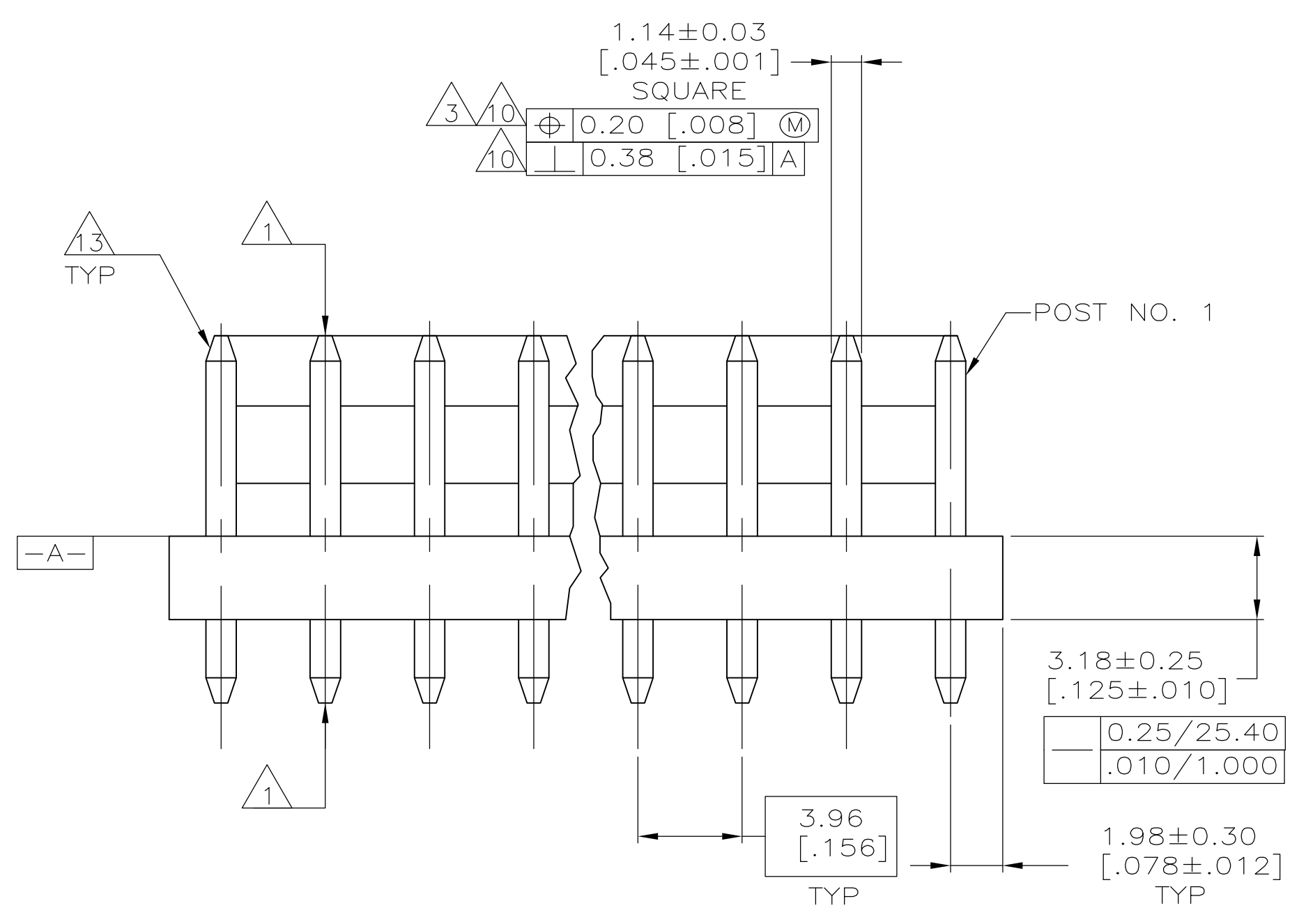


- 1 POST TO WITHSTAND 13 NEWTONS (3 LBS) MINIMUM AXIAL FORCE IN BOTH DIRECTIONS SHOWN WITHOUT DISLODGING.
- 2 TOLERANCES APPLY TO SOLDER SIDE OF BOARD.
- 3 MEASURED AT SURFACE $\square - A - \square$
- 4 PLASTIC FLASH PERMITTED IN THIS AREA.
- 5 PARTS COMPLY WITH AMP SOLDERABILITY SPEC. NO. 109-11-2.
- 6 ONE HOLE MAY BE UNDERSIZED 1.65-1.52 [.065-.060] DIA. FOR ASSEMBLY RETENTION DURING WAVE SOLDERING.
- 7 MATERIAL: HEADER-THERMOPLASTIC POLYESTER
GLASS-FILLED 94V-0 (NATURAL)
POST-COPPER ALLOY (TIN PLATED)
PLATING-ITEMS MARKED CONTAINS LEAD-93/7 TIN LEAD
ITEMS MARKED LEAD FREE-MATTE TIN
- 8 COORDINATE DIMENSION APPLIES FROM CENTER OF ACTUAL FEATURE.
- 9 PLASTIC BURRS CAUSED BY CUT-OFF TOOLING ARE PERMITTED WITHIN THE MAXIMUM TOLERANCE ENVELOPE.
- 10 POST TO BE MEASURED WHEN STRIP IS HELD FLAT.
- 11 POST MUST WITHSTAND TWO 90° BENDS AGAINST EXTRUSION WITHOUT BREAKING.
- 12 DIMENSION SHOULD BE 4.45 [.175] MIN WHEN MATING WITH A MTA-156 CONNECTOR ASSEMBLY OR A SL-156 CONNECTOR ASSEMBLY.
- 13 PIN BURR OF 0.13 [.005] MAXIMUM VERTICAL AND 0.08 [.003] MAXIMUM HORIZONTAL PERMITTED AT POST TIPS ON BOTH ENDS.



LEAD FREE	23.77 [.936]	6	3-644998-6
	DIM (L)	NO.OF POSN	ASSEMBLY

CONTAINS LEAD	23.77 [.936]	6	644998-6
	DIM (L)	NO.OF POSN	ASSEMBLY

METRIC

THIS DRAWING IS A CONTROLLED DOCUMENT.

DIMENSIONS: mm [INCHES]	TOLERANCES UNLESS OTHERWISE SPECIFIED:	DWG: S. HOOVER 07NOV02	CHK: D. BOSSI 07NOV02	APPRO: D. BOSSI 07NOV02	NAME: Tyco Electronics Corporation Harrisburg, PA 17105-3608
0 PLC ± -	1 PLC ± -	2 PLC ± 0.15[.005]	3 PLC ± -	4 PLC ± -	ANGLES ± -
MATERIAL: $\triangle 7$	FINISH: $\triangle 7$	SIZE: A1	CAGE CODE: 00779	DRAWING NO: 644998	RESTRICTED TO: -
CUSTOMER DRAWING		SCALE: 5:1	SHEET: 1 OF 1	REV: C	